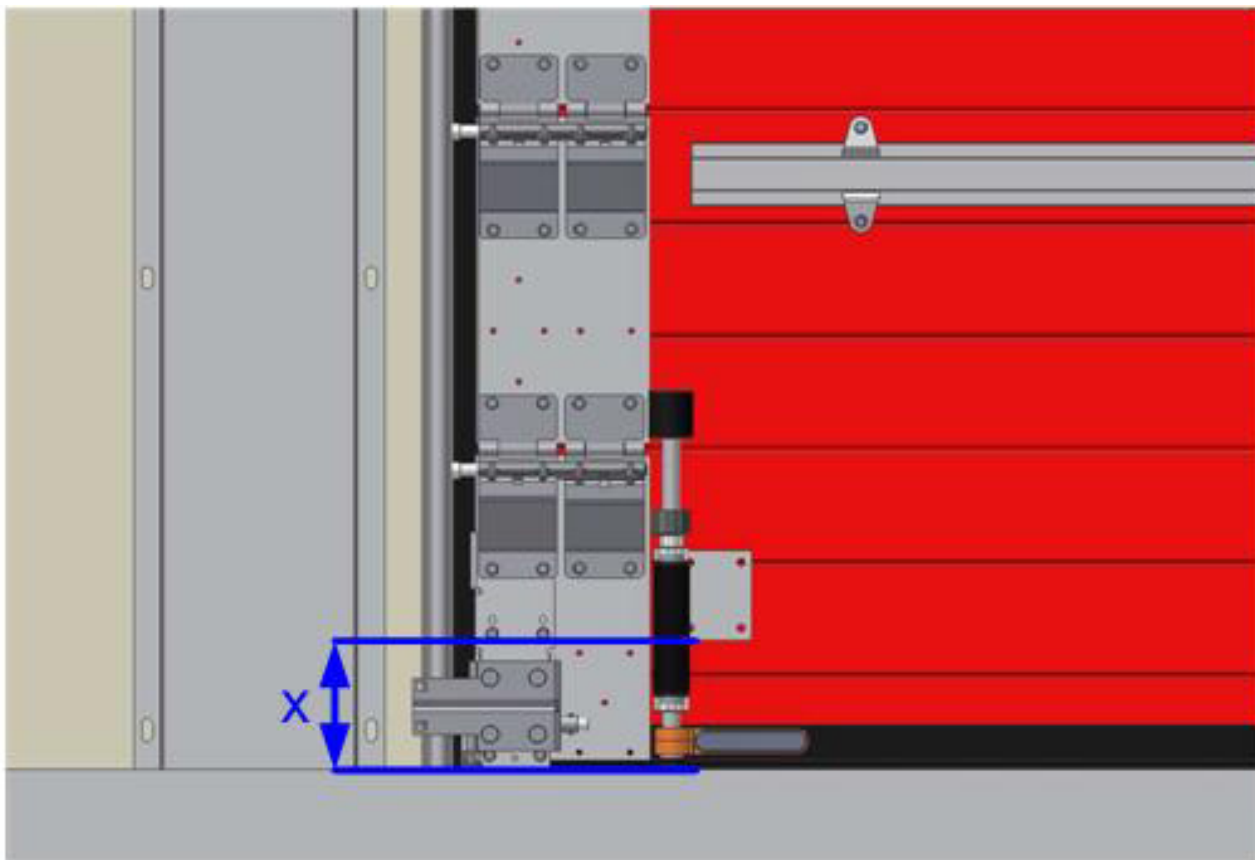




Installation and operating instructions  
Last updated: 11.2023

## Leading Photocell - Duo



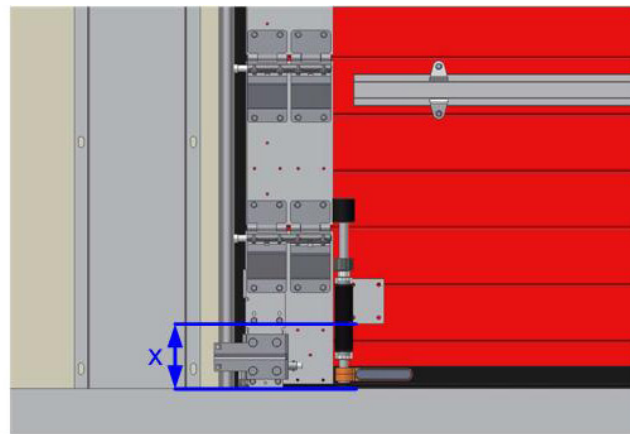
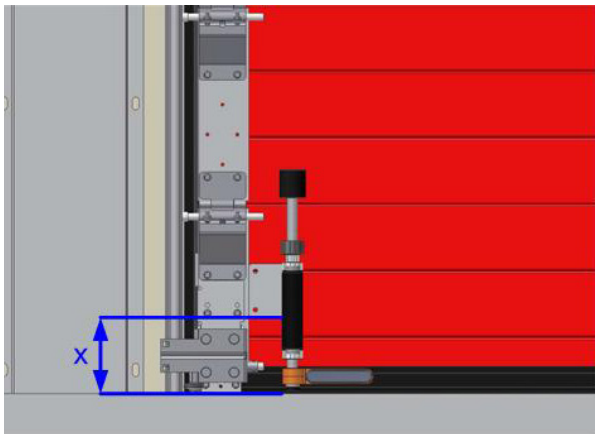
---

# 1. Contents

1.	Contents .....	2
2.	Installation .....	3
3.	Connection of the photocells to the control unit .....	4
4.	Electrical Connection to the CS 310 / CS320.....	5
5.	Electrical Connection to the CS 300 .....	6
6.	Electrical Connection to the CS 400 .....	7

## 2. Installation

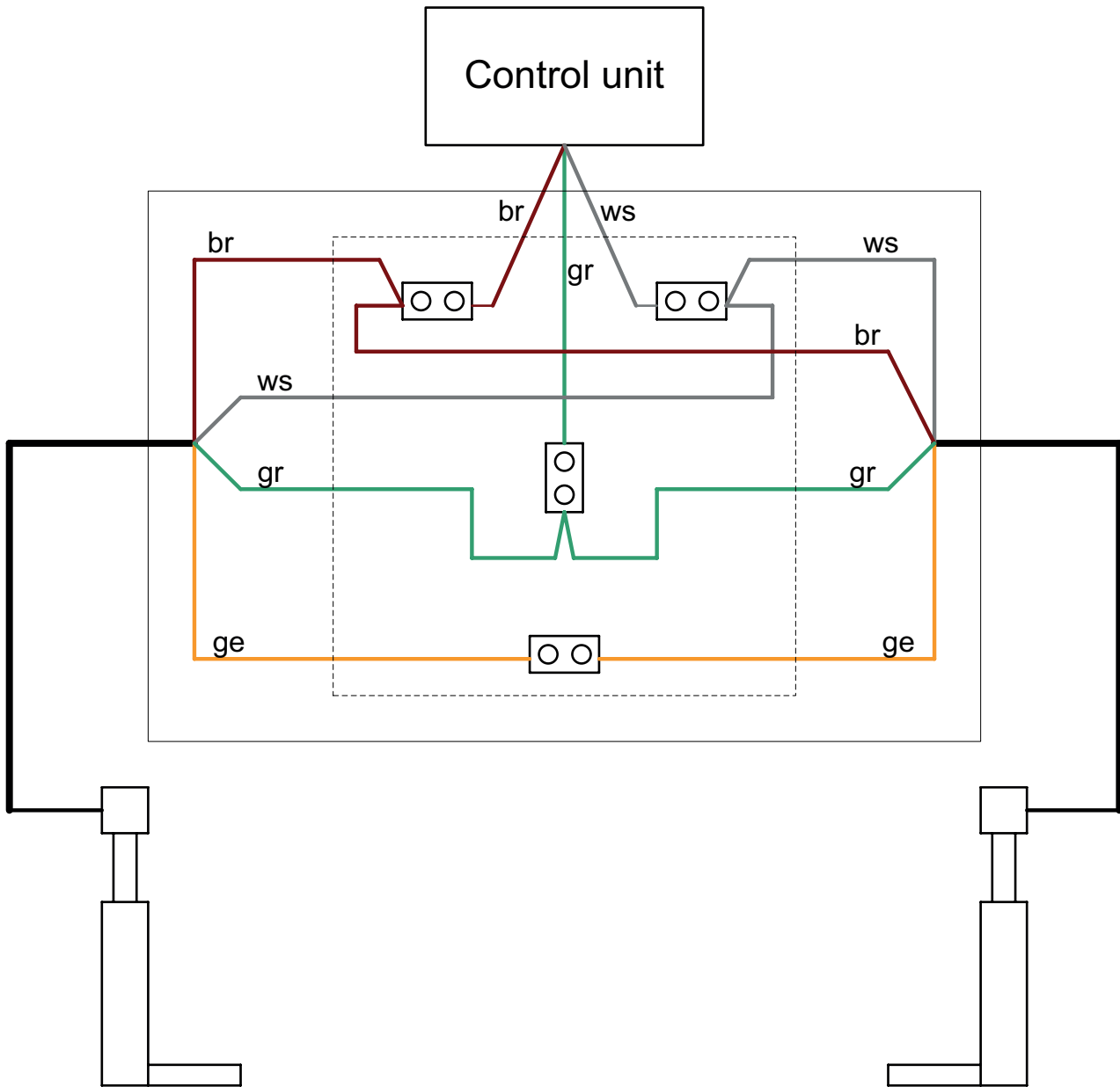
1. Screw the mounting brackets to the leading photocell
2. Close the door
3. Position the leading photocell on the door by placing it on the floor in the folded up state
4. Fix the brackets to the door  
Distance between lower edge of bracket and lower edge of door:  
 $130 < x < 160$  mm



### Notes:

- During initial operation and annual servicing, test runs must be carried out with the door at several different heights
- The two photocells must be fitted to the door leaf at the same height
- The photocells must run directly along the guide rail in their unfolded state so that they monitor the entire clearance
- The receiver should be protected from direct sunlight

### 3. Connection of the photocells to the control unit

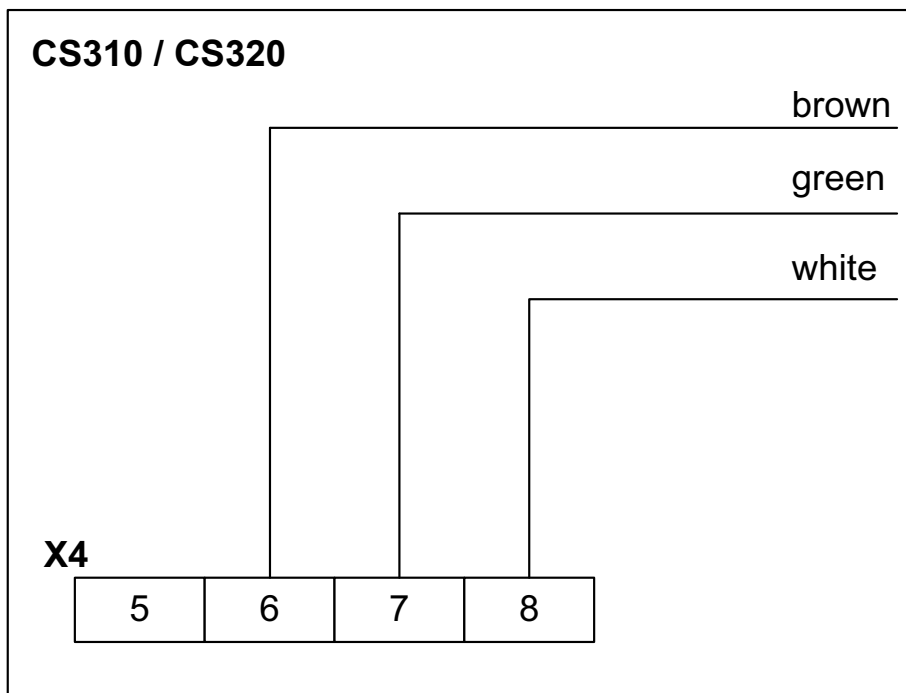


br = brown  
ws = white  
gr = green  
ge = yellow

## 4. Electrical Connection to the CS 310 / CS320

- The leads of the transmitter and receiver units are connected in parallel according to the colours and are connected up to the CS 310 / CS320 with a spiral cable
- The two yellow leads of the leading photocell must be wired through
- The Revers OFF Point must be correctly adjusted

### Connection to the CS 310 / CS320



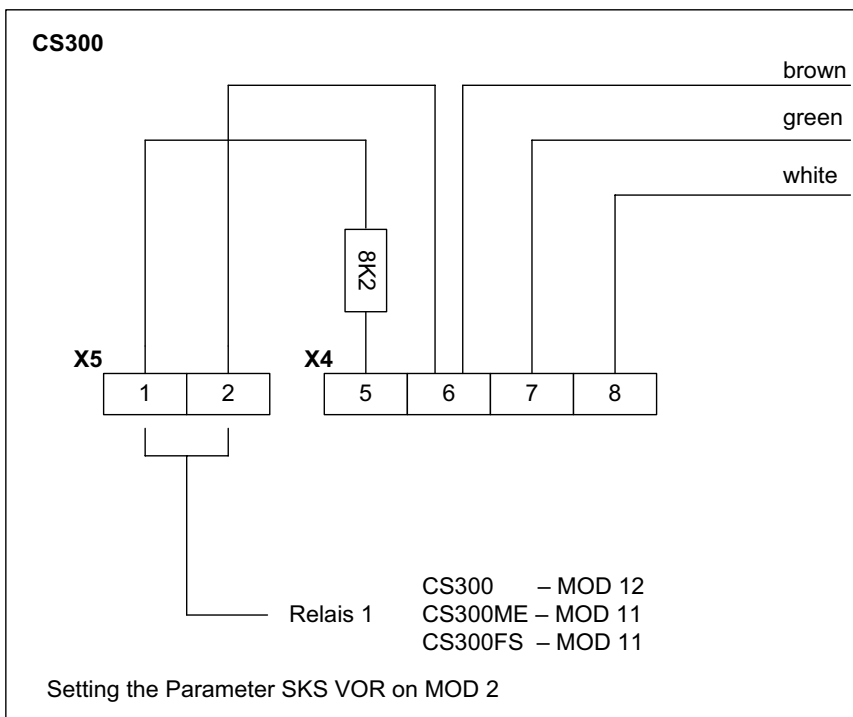
### Setting the reverse gear OFF (reversing point) and SKS REV

- Close the door until the leading photocell just touches the ground
- Set the parameter EXPERT MENU to ON
- Open the REVERS OFF parameter in the INPUT.  
During commissioning, the parameter is preset to „A“ (automatic learning).  
If a numerical value has already been entered, this must be reset to „A“.  
Now open „A“ with the programming button P, the numerical value of the reversing point appears, save the value with the programming button P.
- Set the menu point “SCS REV” to MOD 2  
(stop + reverse between the upper limit switch and the reversal point, no action between the reversal point and the lower limit switch)

## 5. Electrical Connection to the CS 300

- The leads of the transmitter and receiver units are connected in parallel according to the colours and are connected up to the CS 300 with a spiral cable
- The two yellow leads of the leading photocell must be wired through
- The pre-limit switch CLOSE must be correctly adjusted

### Connection to the CS 300:



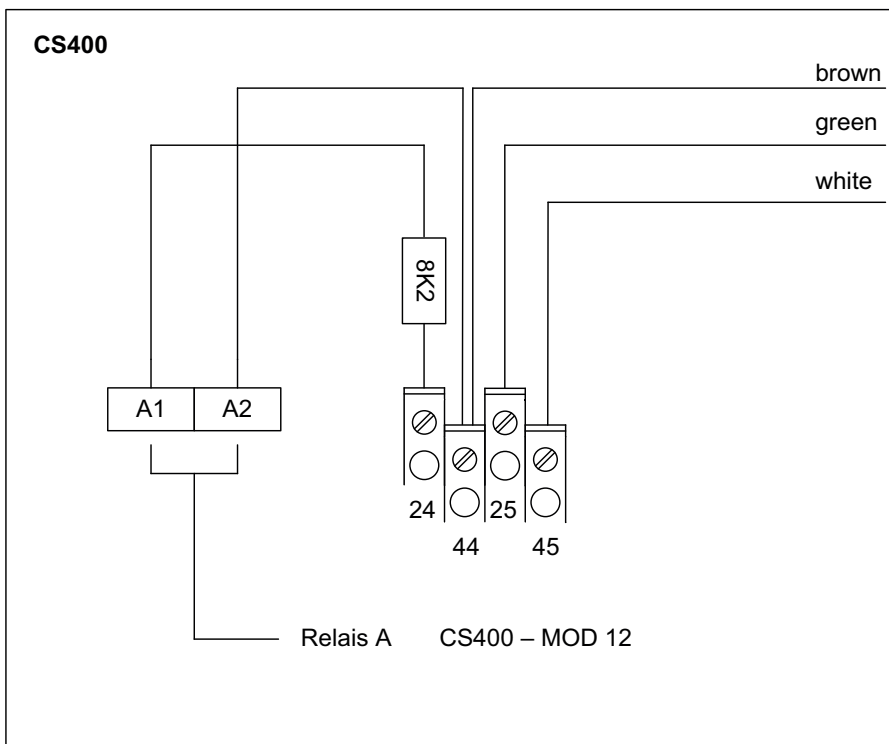
### Adjustment of the pre-limit switch CLOSE

- For CS300, set the mode for relay 1 to 12 (pre-limit switch CLOSE - limit switch CLOSE)
- For CS300ME / CS300FS, set the mode for relay 1 to 11 (pre-limit switch CLOSE)
- Close the door until the leading photocell just touches the ground
- Read off the current position of the door in the diagnostic menu (only in the case of AVE)
- Set the pre-limit switch CLOSE to this position

## 6. Electrical Connection to the CS 400

- The leads of the transmitter and receiver units are connected in parallel according to the colours and are connected up to the CS 400 with a spiral cable
- The two yellow leads of the leading photocell must be wired through
- The pre-limit switch CLOSE must be correctly adjusted

### Connection to the CS 400:



### Adjustment of the pre-limit switch CLOSE

- For CS400, set the mode for relay 1 to 12 (pre-limit switch CLOSE - limit switch CLOSE)
- Close the door until the leading photocell just touches the ground
- Read off the current position of the door in the diagnostic menu (only in the case of AVE)
- Set the pre-limit switch CLOSE to this position

